



**GO**  
BY ESCREO

**Multifunctional  
Modular System**

# Meet GO

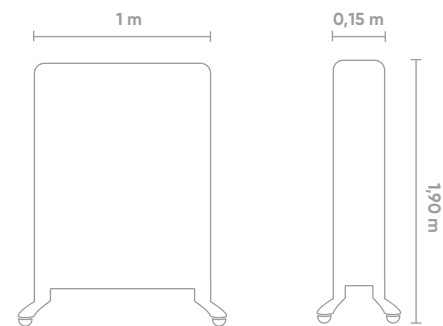
## Multifunctional Modular System

### Why GO?

The future of the workplace is a balance between quiet spaces and collaborative areas, stimulating creativity and productivity. To achieve this, offices need to be functional, flexible and mobile. So we created GO with the same characteristics, to fit the needs of the modern office.

### What is GO?

GO is a multifunctional modular system designed to meet the needs of any workspace. It has a writing area and a digital touch screen; it has acoustic panels to decrease the noise pollution in the office and as a whole can be used as a partition in the open space.



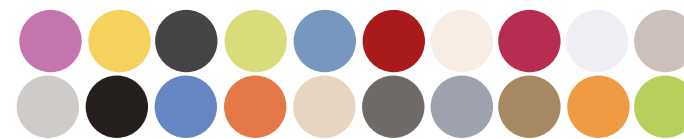
### Dimensions:

Height: 1,90 m.  
Width: 1 m  
Short width 0,15 m.



### Acoustic eco-panels:

Add a sleek acoustic panel on one side to help eliminate the background noise in the office. GO is made of 100% recyclable material and 40% recycled raw materials. You are free to choose from a palette of 36 unique colours. Noise Reduction Coefficient: 85%.



### Where to GO?

- In open and shared spaces as a better alternative to the mobile whiteboard. GO is a state-of-the-art solution with 100% erasable surface that also allows you to create an improvised meeting room.
- In a conference room as a writing surface.
- During a conference as part of your booth, or just rent it temporarily for a special occasion.



## Acoustic panel:

- Material - 100% recyclable;
- Panel thickness: 9 mm or 12 mm;
- Panel weight: from 3 kg. up to 6.5kg
- 36 different colours;
- Fire behavior: Class B;
- Noise Reduction Coefficient (NRC): 85%;

## Writable surface:

- 6mm ESCREO acrylic coating;
- Writing surface resistant to stains, ghosting or shadowing;
- Suitable for any type of marker, even permanent;

